

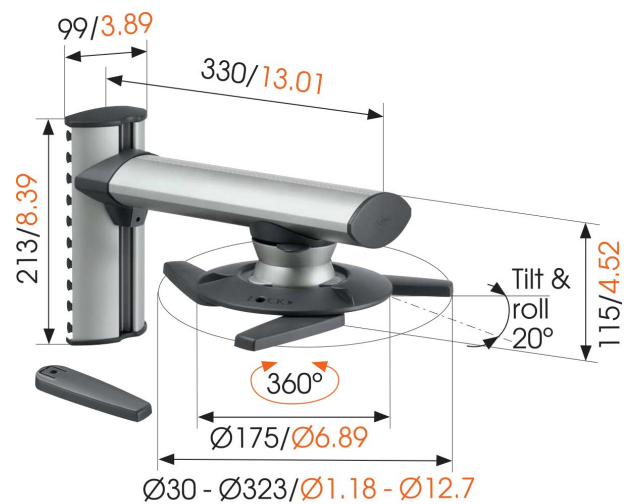


EPW 6565 Projector Wall Mount

Key Benefits

- Easy to place and remove with a single click
- Lock the projector into position
- Mount your projector facing either straight up or upside down
- Position your projector wherever you desire

The EPW 6565 Projector Wall Mount lets you mount your projector on the wall with style. You can easily position your projector and secure it to maintain a stable image while viewing with the Adjust & Secure feature. It comes with the universal Projector Connector that fits virtually every projector weighing up to 10 kg.



mm/inch



EPW 6565 Projector Wall Mount



Specifications

Article number (SKU)	8023654
Colour	Silver
EAN single box	8712285311444
TÜV certified	Yes
Tilt	Tilt up to 20°
Turn	Up to 360°
Guarantee	10 years
Max. weight load (kg)	10
Roll	20
Awards	Good Industrial Design Award iF Product Design Award

VOGEL'S HOLDING BV (c)

All rights reserved.
Subject to printing errors,
technical and price
amendments.

Date: 2021-12-07



Vogel's. For Sure.