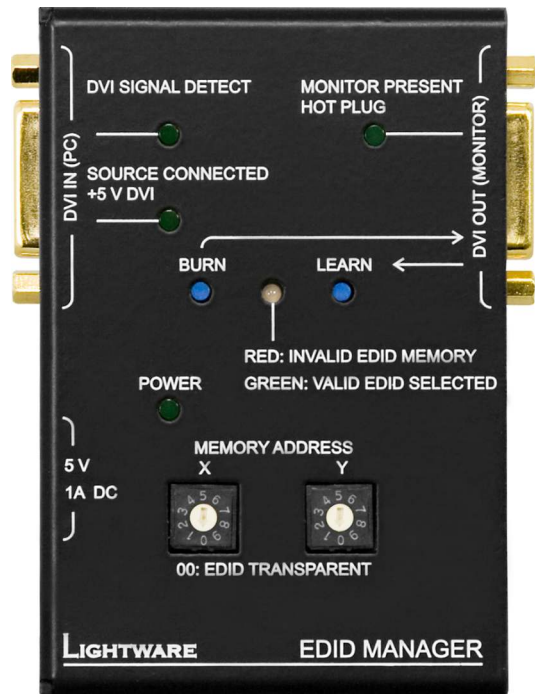


DVI EDID Emulator and cable extender

Lightware EDID Manager is a DVI EDID emulator and DVI repeater, that stores 100 display EDID's and emulates the selected EDID to the attached PC computer. EDID Manager can trick the DVI source (PC computer, laptop, etc.) emulating any DVI display (LCD monitor, projector) for continuous video output, even if the attached display is disconnected, or powered down. Emulating EDID, the user can set up any DVI output resolution, regardless of the used projector or monitor, this way the overall system's resolution can be controlled. The EDID memories 01 to 49 are factory preset, the memories 50 to 99 are user programmable. Memory 00 is transparent, that means, the attached display device's EDID (monitor or projector) will be reported to the source computer. In this mode the unit works as a simple DVI repeater.



Applications

- Rental and staging
- Post production studios
- Control room
- Video wall systems
- 3D applications

Features

- 100 EDID memories 50 of them user programmable
- 50 meter long DVI cable compensation
- Keeps computer's DVI output continuously active
- Signal detection LED, source detection LED, monitor detection LED
- Robust metal housing for rental and staging applications
- Fiber cable power support

Connectors

Input / Output:	24 pole DVI-D connector
Power:	2 mm DC connector

Specifications

Video bandwidth:	1.65 Gbps
Resolution:	any DVI single link
Cable equalization (automatic):	+40 dB max
Power:	9..12 V DC 5 Watts
Power consumption:	1,125W (typ) 1,55W (max)
Enclosure:	2 mm metal
Dimensions:	102,4W x 70,6D x 27H mm
Net weight:	175 gramms
Warranty:	3 years

Connection

