

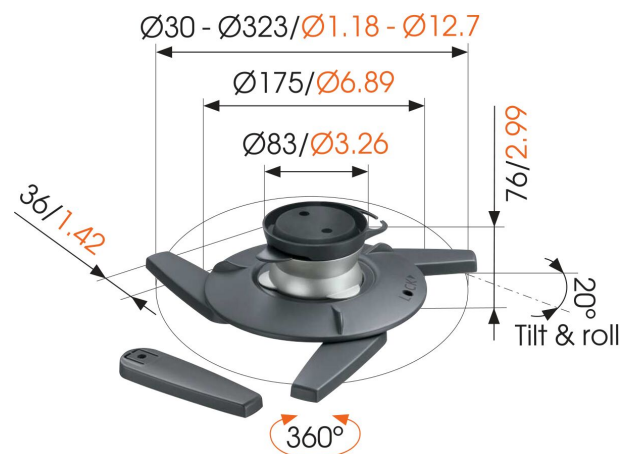


EPC 6545 Projector Ceiling Mount

Key Benefits

- Easy to place and remove with a single click
- Lock the projector into position
- Position your projector wherever you desire

The EPC 6545 Ceiling Mount lets you mount your projector to the ceiling. You can easily position your projector and secure it to maintain a stable image while viewing. It comes with the universal Projector Connector that fits virtually every projector weighing up to 10 kg.



mm/inch



EPC 6545 Projector Ceiling Mount

Specifications

Article number (SKU)	8027454
Colour	Silver
EAN single box	8712285311420
TÜV certified	Yes
Tilt	Tilt up to 20°
Turn	Up to 360°
Guarantee	10 years
Max. weight load (kg)	10
Max. distance to ceiling (mm)	76
Roll	20
Awards	Good Industrial Design Award iF Product Design Award

VOGEL'S HOLDING BV (c)

All rights reserved.
Subject to printing errors,
technical and price
amendments.

Date: 2021-12-07



Vogel's. For Sure.